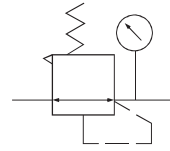


QTYH Series High Pressure Regulator

Symbol



Ordering code

QTYH	
Model	
QTYH	High pressure regulator

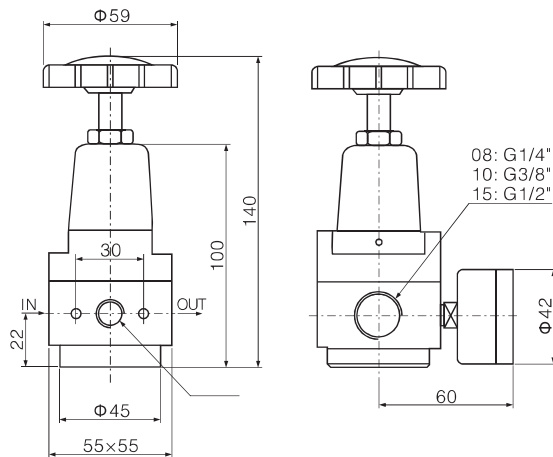
15	
Port size	
08	G1/4"
10	G3/8"
15	G1/2"
20	G3/4"
25	G1"
32	G1 1/4"
40	G1 1/2"
50	G2"

Specification

Model	QTYH-08	QTYH-10	QTYH-15	QTYH-20	QTYH-25	QTYH-32	QTYH-40	QTYH-50
Operating fluid	Air							
Joint pipe bore	G1/4	G3/8	G1/2	G3/4	G1	G1 1/4	G1 1/2	G2
Range of adjustable pressure	0.05MPa~3.5MPa							
Max. input pressure	4MPa							
Operating temperature range	-25~80°C							

Dimensions

QTYH-08\10\15



QTYH-20\25

